

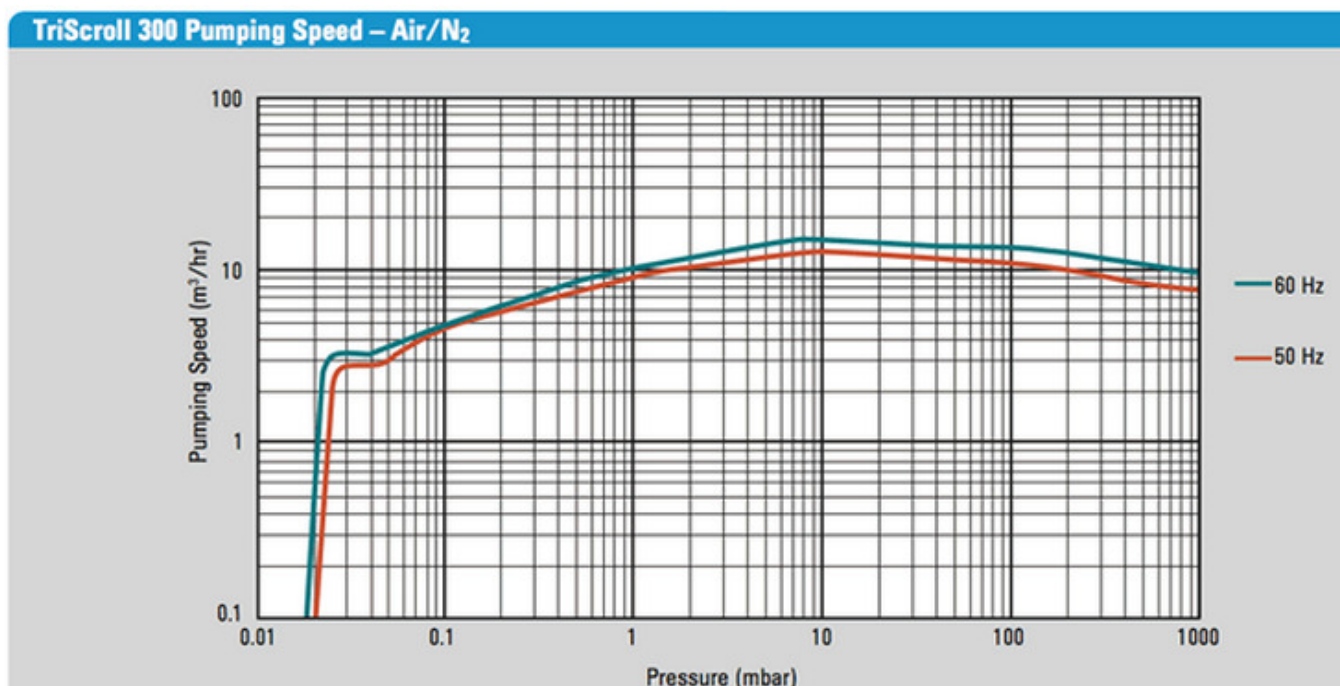
## Спецификация на вакуумный сухой спиральный насос

### Agilent TriScroll 300

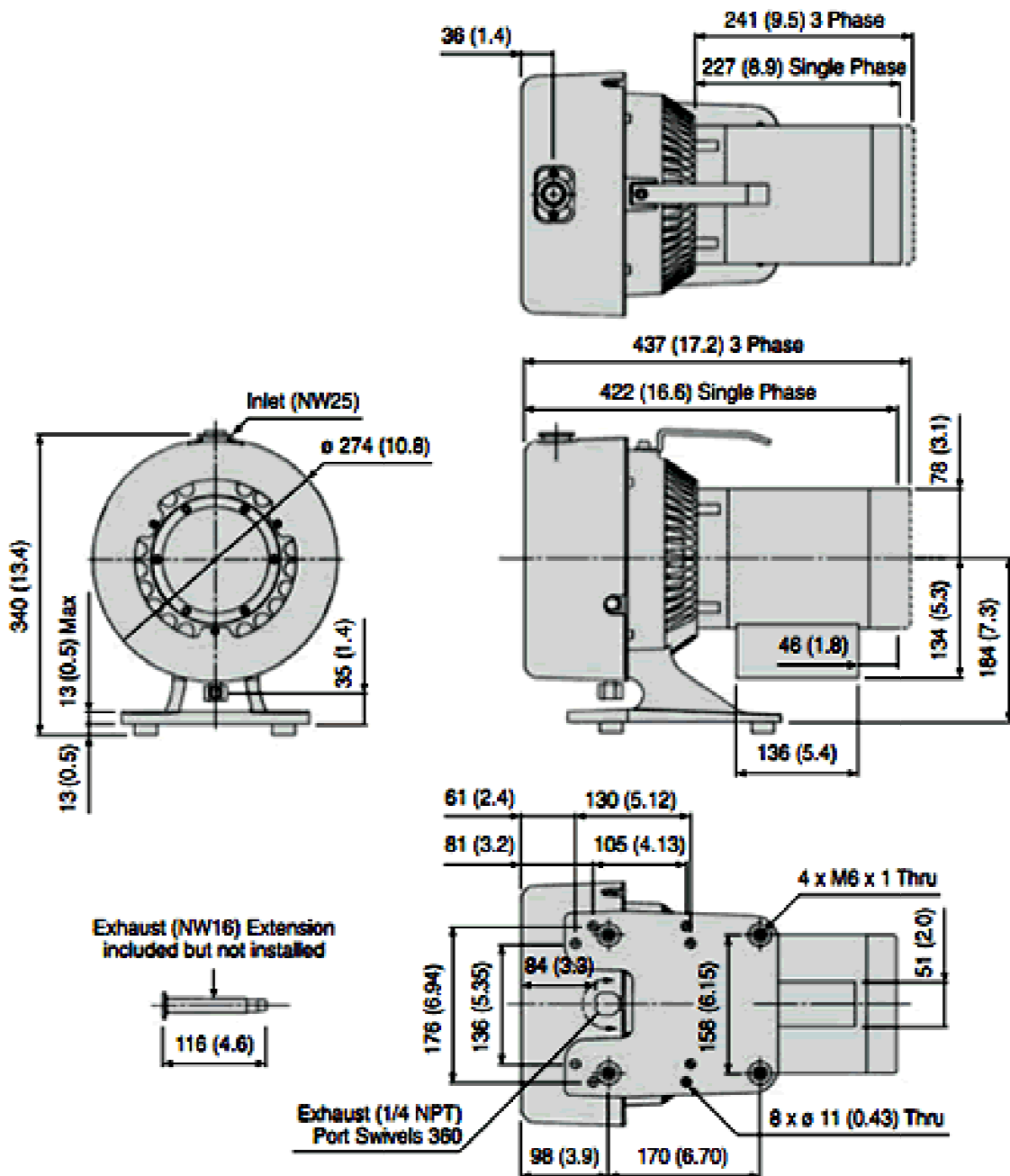
(Италия)

<b>Pumping Speed</b>	<b>60 Hz 250 L/M, 15 M3/Hr, 8.8 Cfm 50 Hz 210 L/M, 12.6 M3/Hr, 7.4 Cfm</b>
Ultimate pressure	1.3 x 10 <sup>-2</sup> mbar (1.0 x 10 <sup>-2</sup> Torr)
Maximum inlet pressure	1.0 atmosphere (0 psig)
Maximum outlet pressure	1.1 atmosphere (1.5 psig)
Inlet connection	NW25
Exhaust connection	1/4" Female NPT with swivel (NW16 adapter provided)
Gas ballast	1/4" Female NPT (shipped with 40 micron filter installed; port plug also provided)
Operating Voltages-1Ø models	50/60Hz/100-115: 200-230 VAC
Operating Voltages-3Ø models	50Hz/200-230, 380-415 VAC; 60Hz/ 200-230, 460 VAC
Weight	Pump only: 26.4 kg (58 lbs) Ship weight: 34.2 kg (75 lbs)
Compliance	CE, CSA/CUS

### Кривая откачки



## Габаритный чертеж



*Dimensions: millimeters (inches)*